



Healthcare Products

---

# HIGH-TECH PRECISION ENGINEERING

---

**SCRUB SINKS**





**Sensor Operated Scrub Unit**

## Scrub Sinks

### Surgeon Scrub-Up Unit: Sensor operated

Surgical site infection rates can be improved by acting upon various factors, from the surgical environment itself to procedural aspects and staff behaviour.

## Sensor Operated Scrub Unit

### Model SS

The new model SS-Sensor operated surgeon scrub unit is equipped with sensors that activate the demand of water at a pre-set temperature. It is designed to assist with most healthcare procedures. The model SS-Sensor scrub is supplied with a sensor-activated thermostatic mixer. Sensor taps are water efficient as they use up to 70% less water than traditional taps.

## Standard Features

- Grade 304 (18/10) stainless steel 1.5mm gauge
- Two standard lengths
- Sloped splashbacks design and construction for improved hygiene
- Wall mounting supplied with galvanised fixing plate
- Removable panel for maintenance
- Optional: elbow action mixers (to replace sensor)

## Specifications

### Model SS

Mac-Care model SS-Sensor operated... mm wall-mounted Surgeon Scrub Unit code... (please specify), manufactured from grade 304(18/10) stainless steel, 1.5mm gauge, complete with 600mm high integral splashback to the rear, tanked internal corners for easy cleaning and provision for 40mm Brass Chrome-plated waste outlet. Unit attached to removable galvanised mild steel 2.0mm-thick fixing plate. Unit fixed to wall 630mm high from the top of the front apron to the finished floor level (FFL) with anchor bolts. To be supplied with Cobra sensor activated, thermostatic mixer that can be manually set. BSP Male Inlets, concealed S-connections and 12V transformer (220V to 12V) box. Manufactured by Mac Brothers Cape Town.

## Product Codes

Order Code	Model	Dimensions	Option
SMH0122	Surgeon Scrub-Up Sink	1500mm	Wall mounted & 2 Sensor Taps
SMH0123	Surgeon Scrub-Up Sink	1800mm	Wall mounted & 3 Sensor Taps



**200mm SB Elbow Action Scrub Unit**

## Elbow Operated Scrub Sinks

### Model SB

Mac-Care model SB-Elbow-operated tap... mm wall-mounted Surgeon Scrub-Unit code ... (please specify), manufactured from grade 304(18/10) stainless steel, 1.5mm gauge, complete with 600mm high integral splashback to the rear, tanked internal corners for easy cleaning and provision for 40mm Brass Chrome-plated waste outlet. Unit attached to removable galvanised mild steel 2.0mm-thick fixing plate. Unit fixed to wall 630mm high from the top of the front apron to the finished floor level (FFL) with anchor bolts. (Optional to be supplied with cobra model COB-508 Elbow Action Mixers). Manufactured by Mac Brothers Cape Town.

## Standard Features

- Grade 304 (18/10) stainless steel 1.5mm gauge
- Four standard lengths
- Hygienic design and construction
- Wall mounting supplied with galvanised fixing plate
- Removable panel for maintenance
- 200mm Splashback

## Specifications

### Model SB

Mac-Care model SB wall-mounted Surgeon's Scrub unit, manufactured from grade 304 (18/10) stainless steel 1.5 mm gauge complete with 200mm high integral splashback to the rear, tanked internal corners for easy cleaning and provision for 40mm CP Brass waste outlet. Unit fitted with removable galvanized mild steel 2.0 mm-thick fixing plate. Unit fixed to wall 630mm high from the top of the front apron to the finish floor level with anchor bolts. Unit comes with optional elbow mixer tap code COB-508. Manufactured by Mac Brothers Cape Town.

## Product Codes

Order Code	Model	Dimensions	Option
SMH0124	Surgeon Scrub-Up Sink	1500mm	Wall-mounted & 2 Elbow-Operated Taps
SMH0125	Surgeon Scrub-Up Sink	1800mm	Wall-mounted & 3 Elbow-Operated Taps
SMH0126	Surgeon Scrub-Up Sink	1500mm	No Taps
SMH0127	Surgeon Scrub-Up Sink	1800mm	No Taps

**Elbow Action Mixer SBS****Sensor-Activated SBSS**

## Single Bowl Scrub Unit

Ideally suited for sluice rooms, clinics and veterinary applications.

### Standard Features

- Sensor-operated or elbow action models
- Grade 304 (18/10) stainless steel 1.2mm gauge
- Ideally suited for sluice rooms, clinics, doctor's rooms and veterinary applications
- 700mm width to facilitate fitting of disinfectant/soap dispensers
- Pressed bowl 500x500x250mm deep with 63-litres capacity 1mm gauge
- 350mm high splashback
- A basket strainer 90mm waste is supplied as standard
- Wall-mounted with slots for easy installation
- Estimated 40% water saving with sensor operation

## Specifications

### Elbow Action Mixer Tap Scrub Unit

Mac-Care model SBS single bowl code... (please specify) surgeon scrub-up unit, size 700x670x340mm deep manufactured from grade 304 (18/10) stainless steel 1.2mm gauge complete an integral splashback 350mm high fitted with elbow action medical mixer tap. Unit fitted with a pressed bowl 500x500x250 mm deep manufactured from grade 304 (18/10) stainless steel 1mm gauge complete with a 110mm basket strainer waste fitting (supplied with unit). Scrub sink secured to wall 900mm high from the top of the front apron to the finish floor by a fixing bracket and anchor bolts. Elbow action mixer Cobra Model 508 (measured elsewhere). Manufactured by Mac Brothers Cape Town.

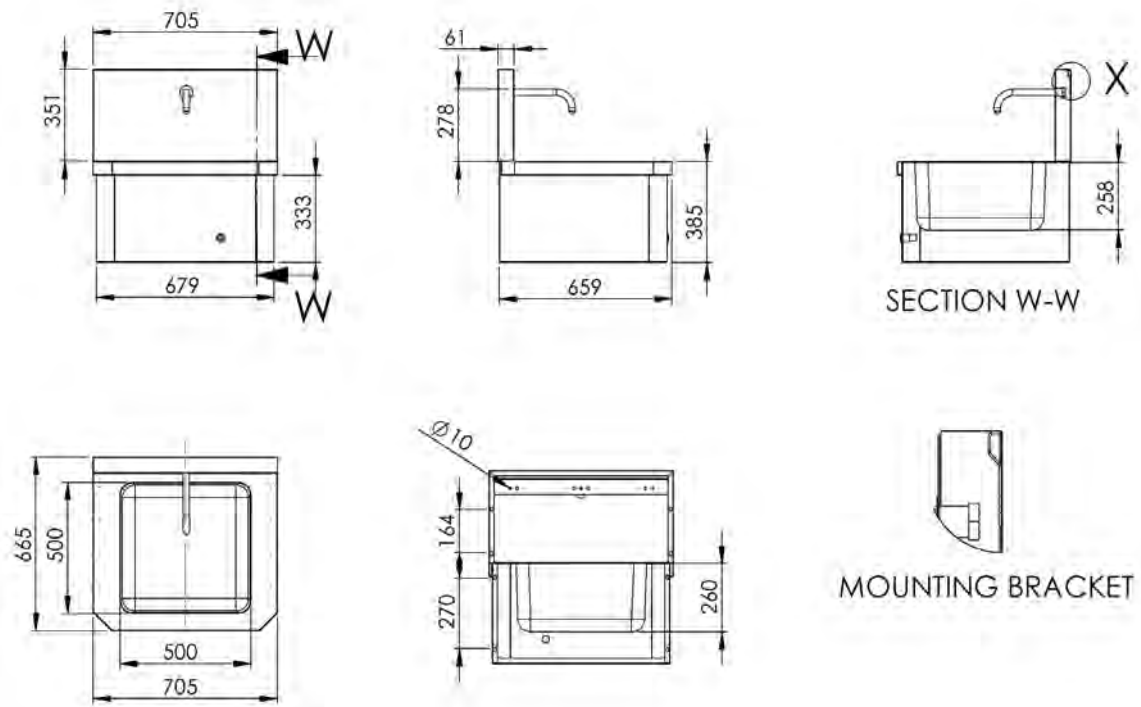
### Sensor Mixer Spout Scrub Unit

Mac-Care model SBSS-Sensor single bowl code... (please specify) sensor surgeon scrub-up unit, size 700x670x340mm deep manufactured from grade 304 (18/10) stainless steel 1.2mm gauge complete an integral splashback 300mm high with provision to fit sensor medical mixer spout. Unit fitted with a pressed bowl 500x500x250mm deep manufactured from grade 304 (18/10) stainless steel 1mm gauge complete with a 110mm basket strainer waste fitting (supplied with unit). Scrub sink secured to wall 900mm high from the top of the front apron to the finish floor by a fixing bracket and anchor bolts. Cobra sensor activated, thermostatic mixer that can be manually set. BSP Male Inlets, concealed S-connections and 12V transformer (220V to 12V) box. Manufactured by Mac Brothers Cape Town. (Sensor and spout included.)

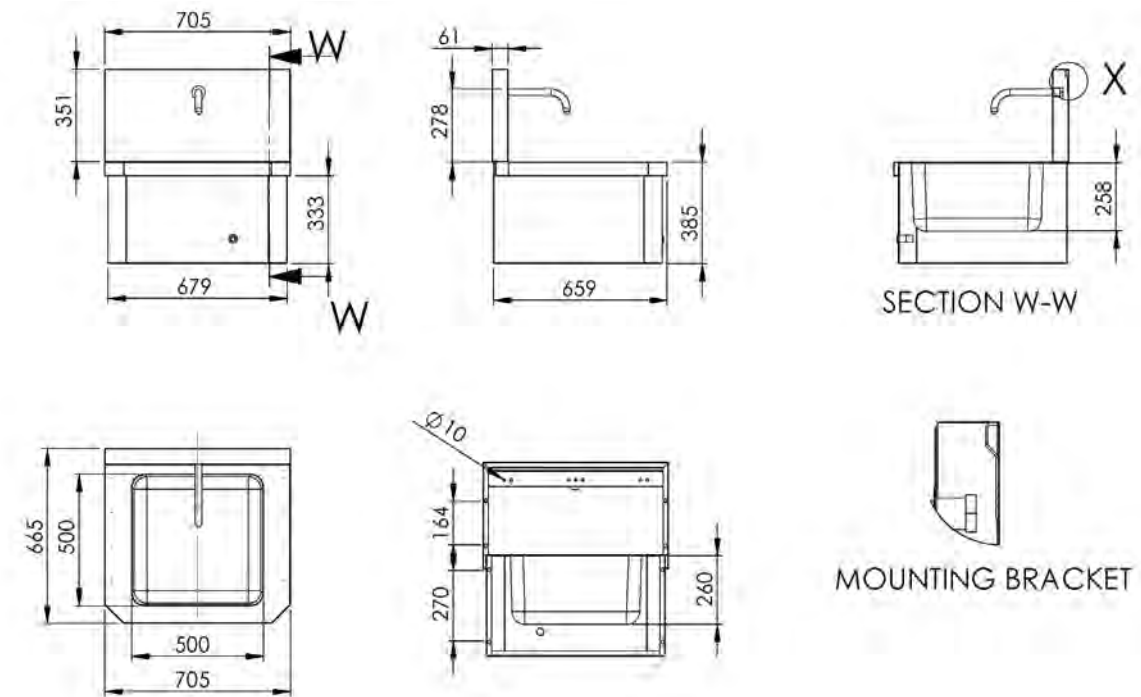
## Product Codes

Order Code	Model	Dimensions	Option	Comments
SMH0119	Single Bowl Scrub-Up Unit	654 x 700 x 633mm	With or without taps	Elbow Action Mixer
SMH0120	Single Bowl Scrub-Up Unit	654 x 700 x 633 mm	With or without taps	Sensor Activated

## TECHNICAL DRAWINGS

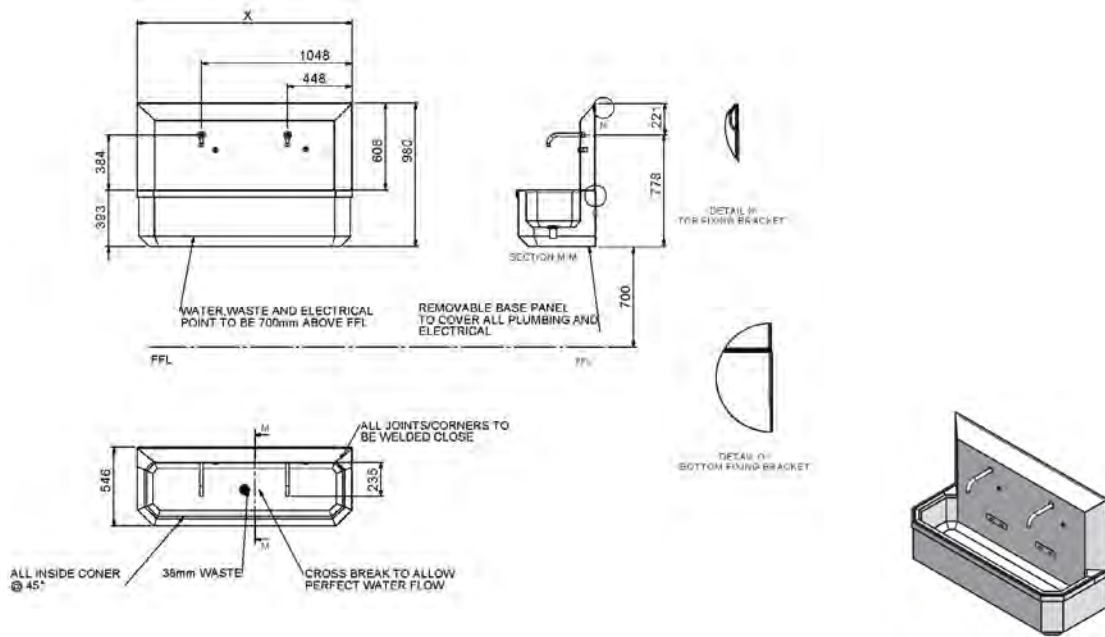


**SBS Shown with optional Cobra 508 Medical Mixer**

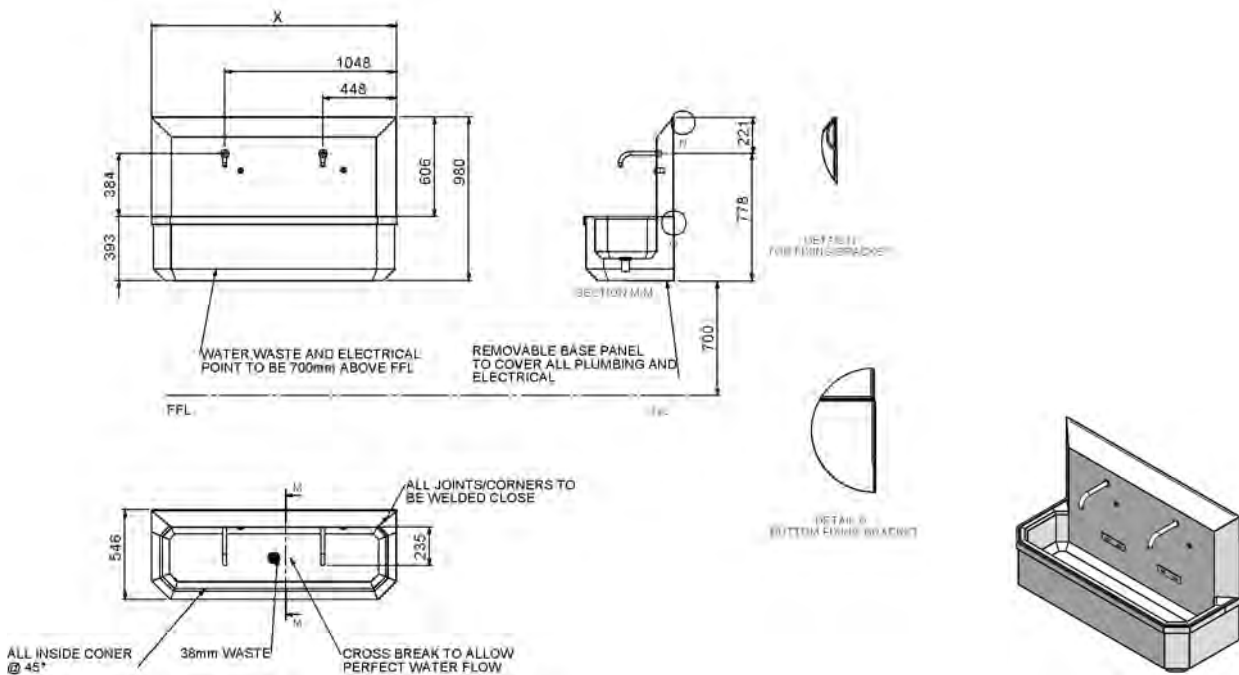


**Sensor Operated Scrub SBSS**

## TECHNICAL DRAWINGS



### SS Sensor Operated Scrub Unit



### SB Elbow Action Scrub Unit



CALL 0860 111 MAC  
[www.macbrothers.co.za](http://www.macbrothers.co.za)  
[info@macbrothers.co.za](mailto:info@macbrothers.co.za)

DISCLAIMER The information supplied in this brochure is based on the information believed to be reliable, however not binding and inaccuracies may occur. Mac Brothers (Pty) Ltd reserves the right to change specifications and design at any time without notice. Copyright by Mac Brothers (Pty) Ltd. All rights reserved under the Copyright Act of 1987 with the amendments. Reproduction of any of the content, partial or full, is only allowed upon prior written approval by Mac Brothers (Pty) Ltd, which shall not be unreasonably refused.

CAPE TOWN • JOBURG • DURBAN • HARARE